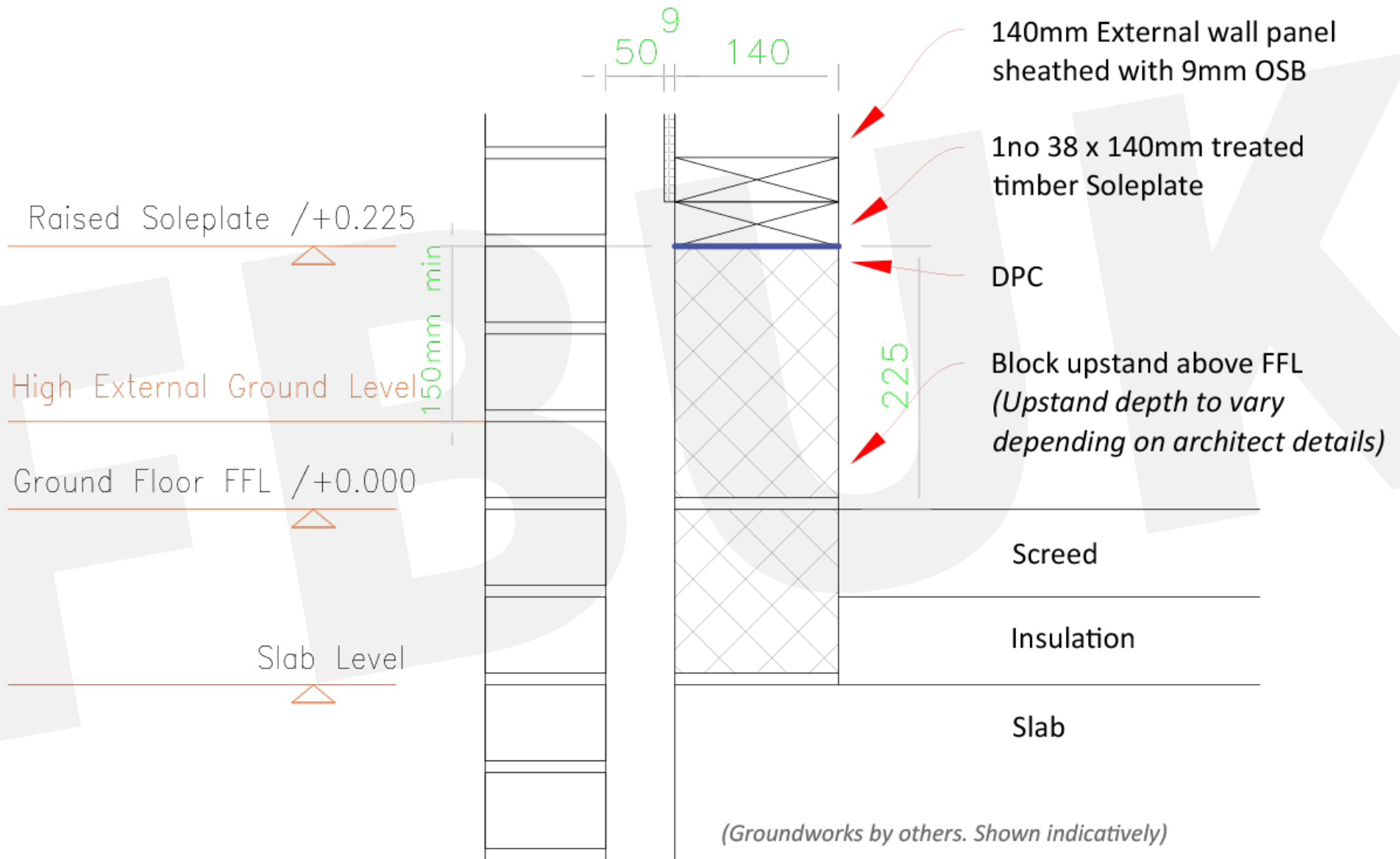
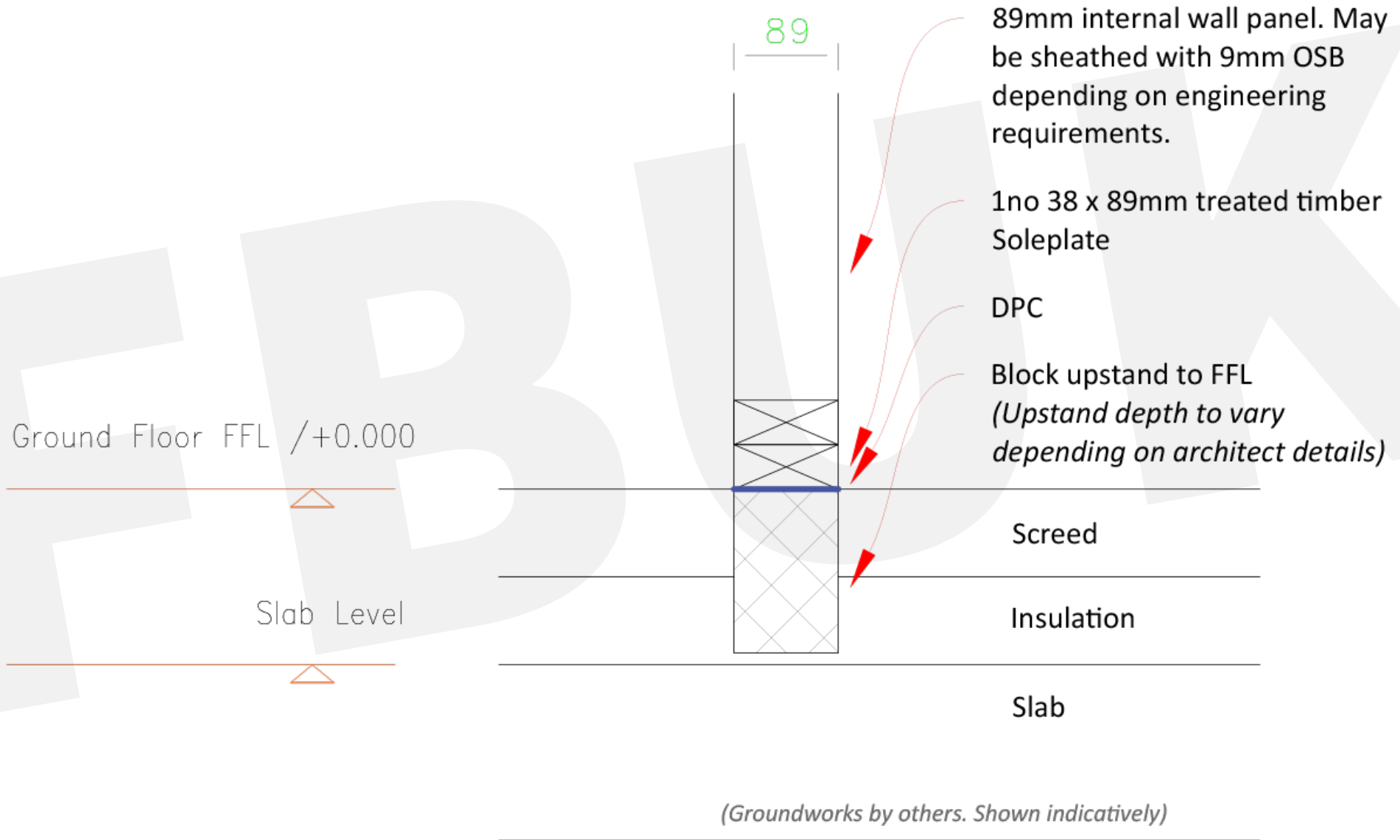


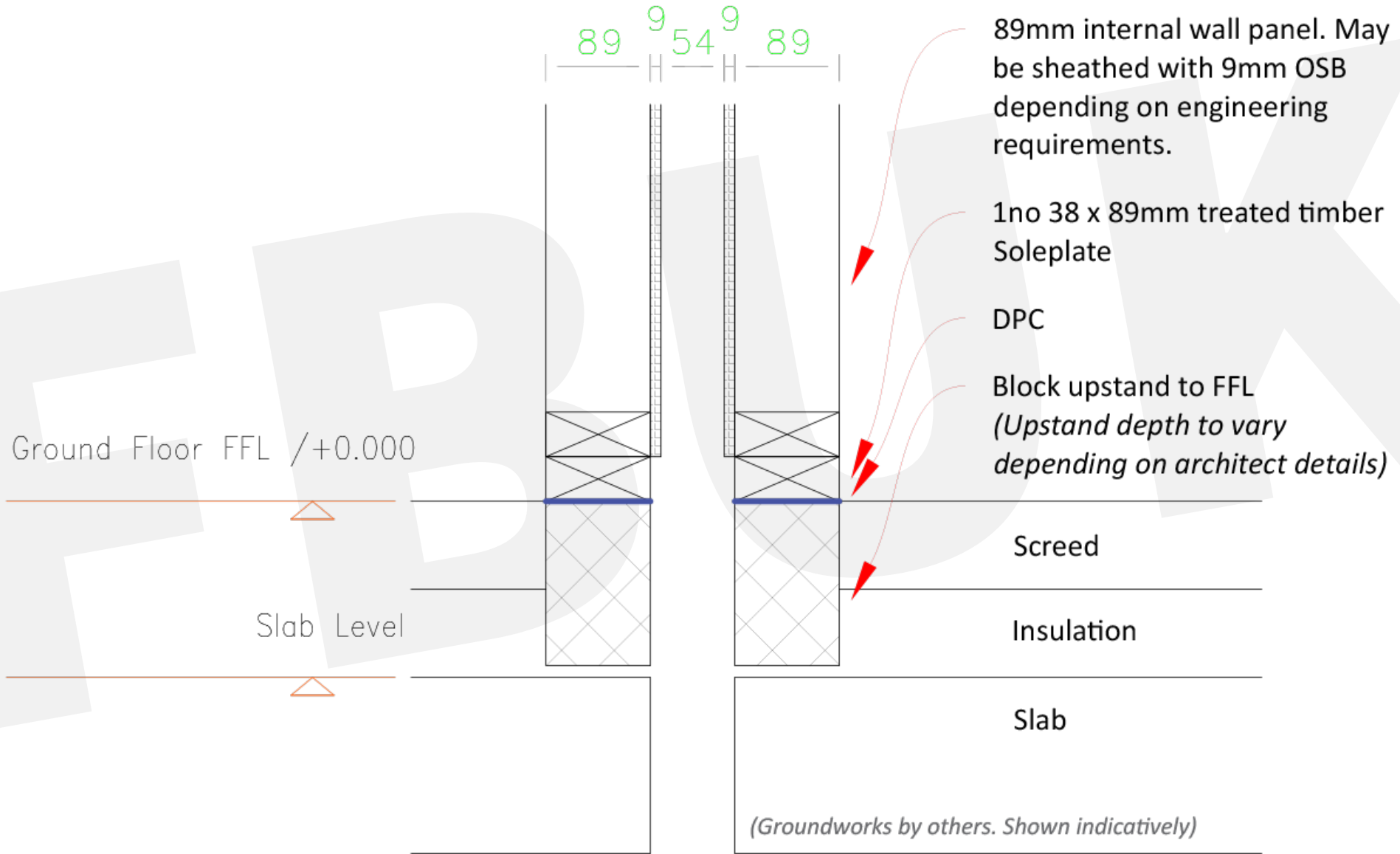
*Details should be considered indicative only. Intellectual Property of FBUK.



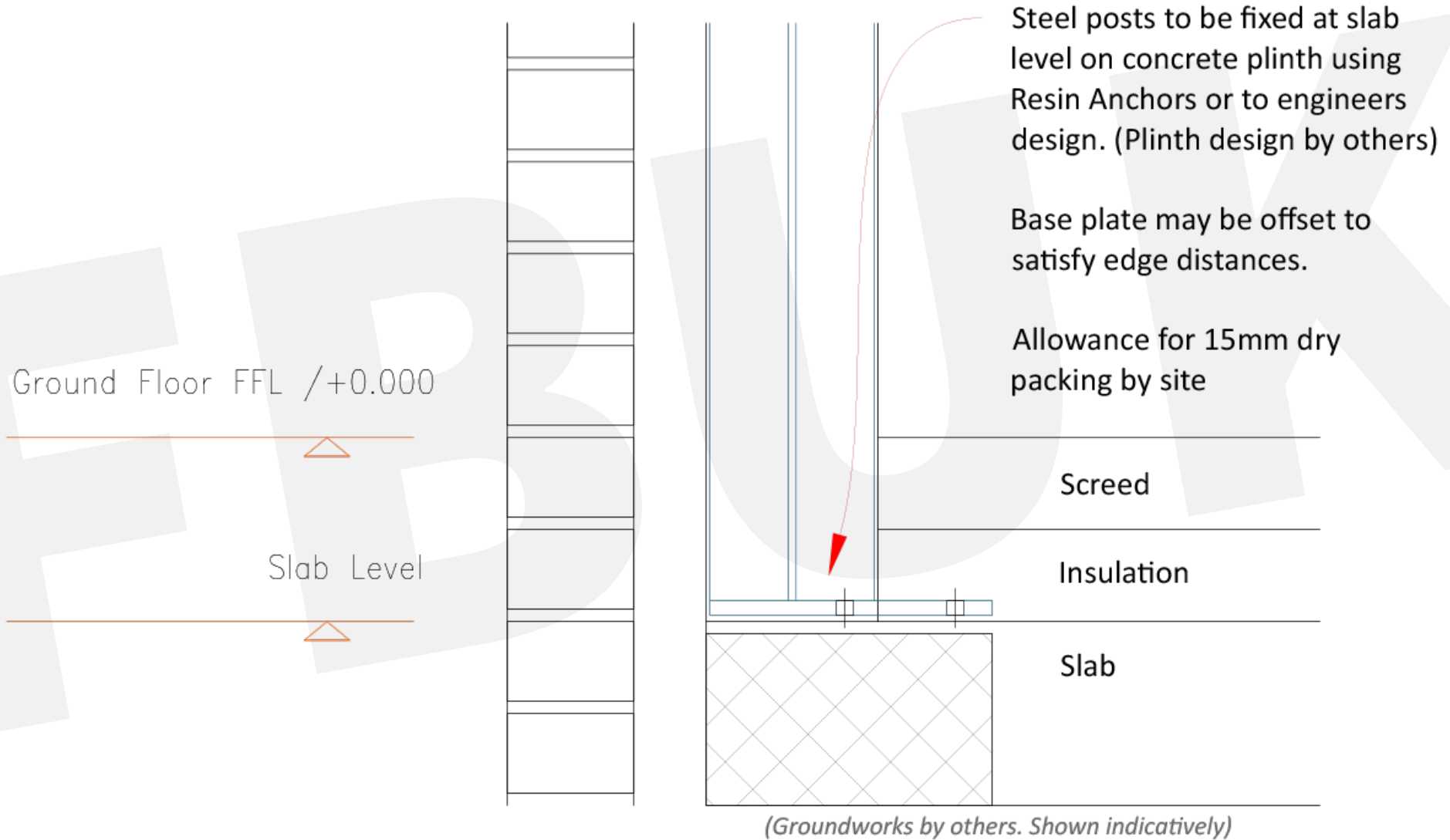
*Details should be considered indicative only. Intellectual Property of FBUK.



*Details should be considered indicative only. Intellectual Property of FBUK.



*Details should be considered indicative only. Intellectual Property of FBUK.



*Details should be considered indicative only. Intellectual Property of FBUK.

Perimeter floor zone
insulation by others to
avoid cold spot

Rimbeam covered with
9mm OBS and breather
paper cover strip

140mm External wall panel
sheathed with 9mm OSB

22mm Decking

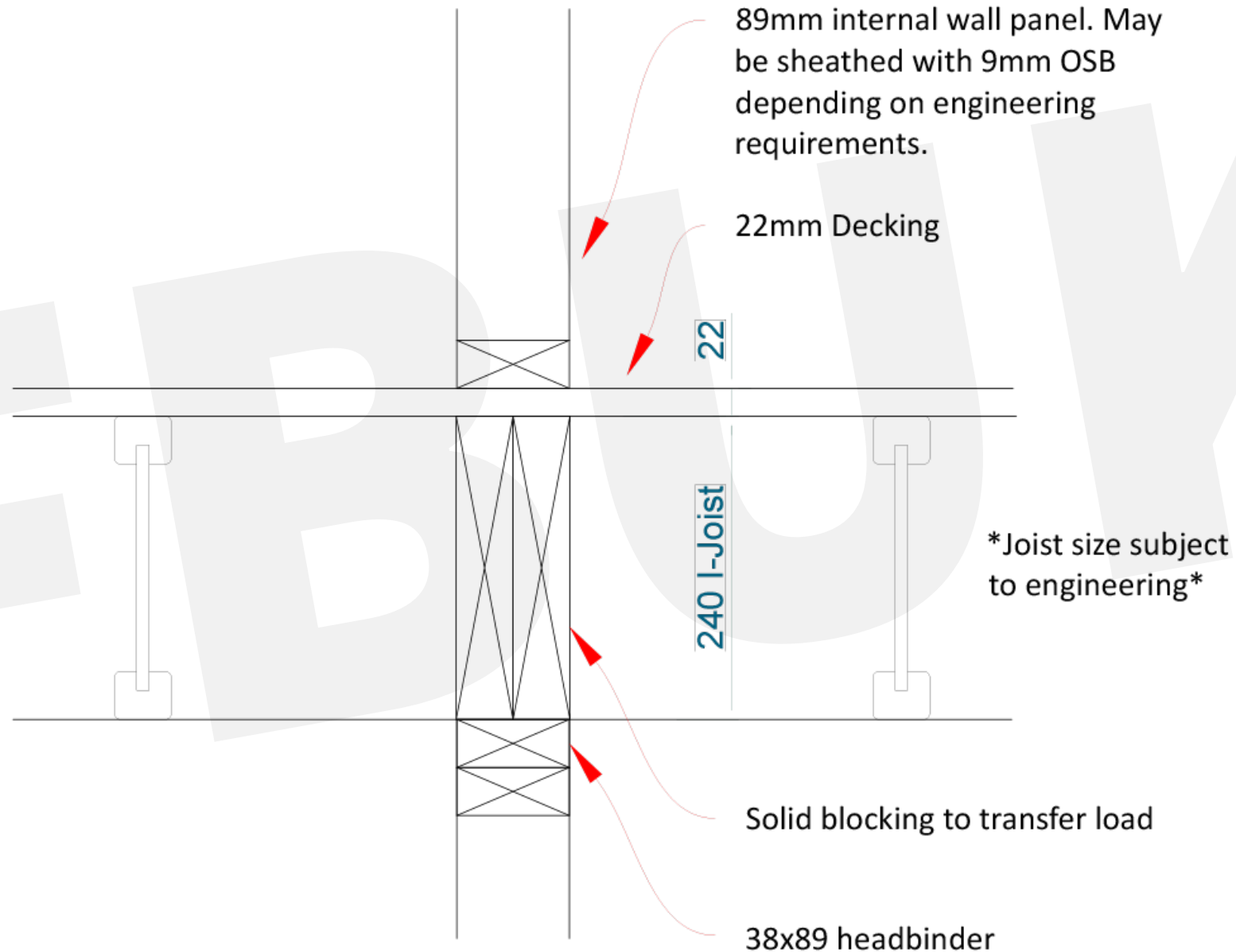
22

240 I-Joist

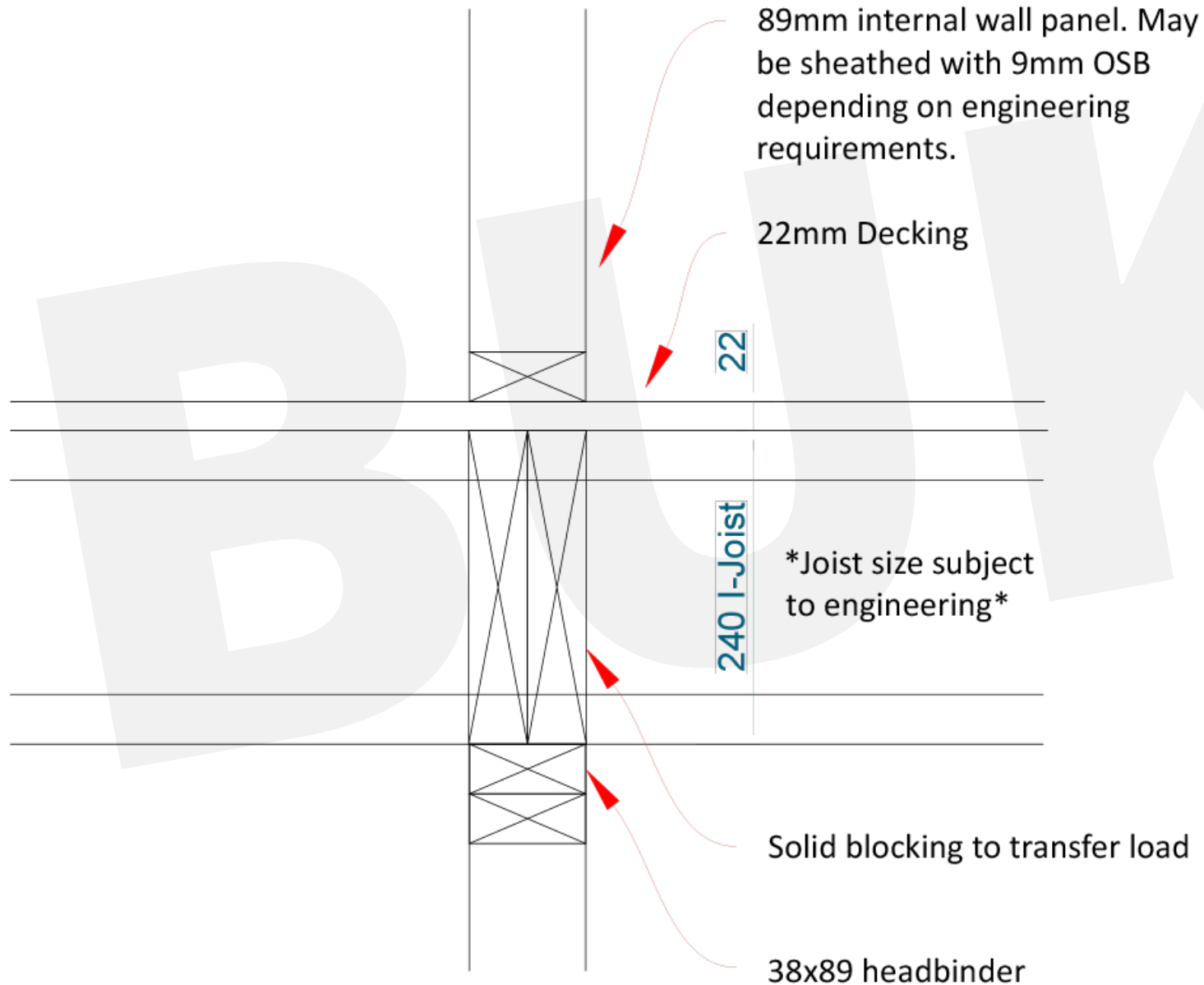
*Joist size subject
to engineering*

38x140mm treated
headbinder

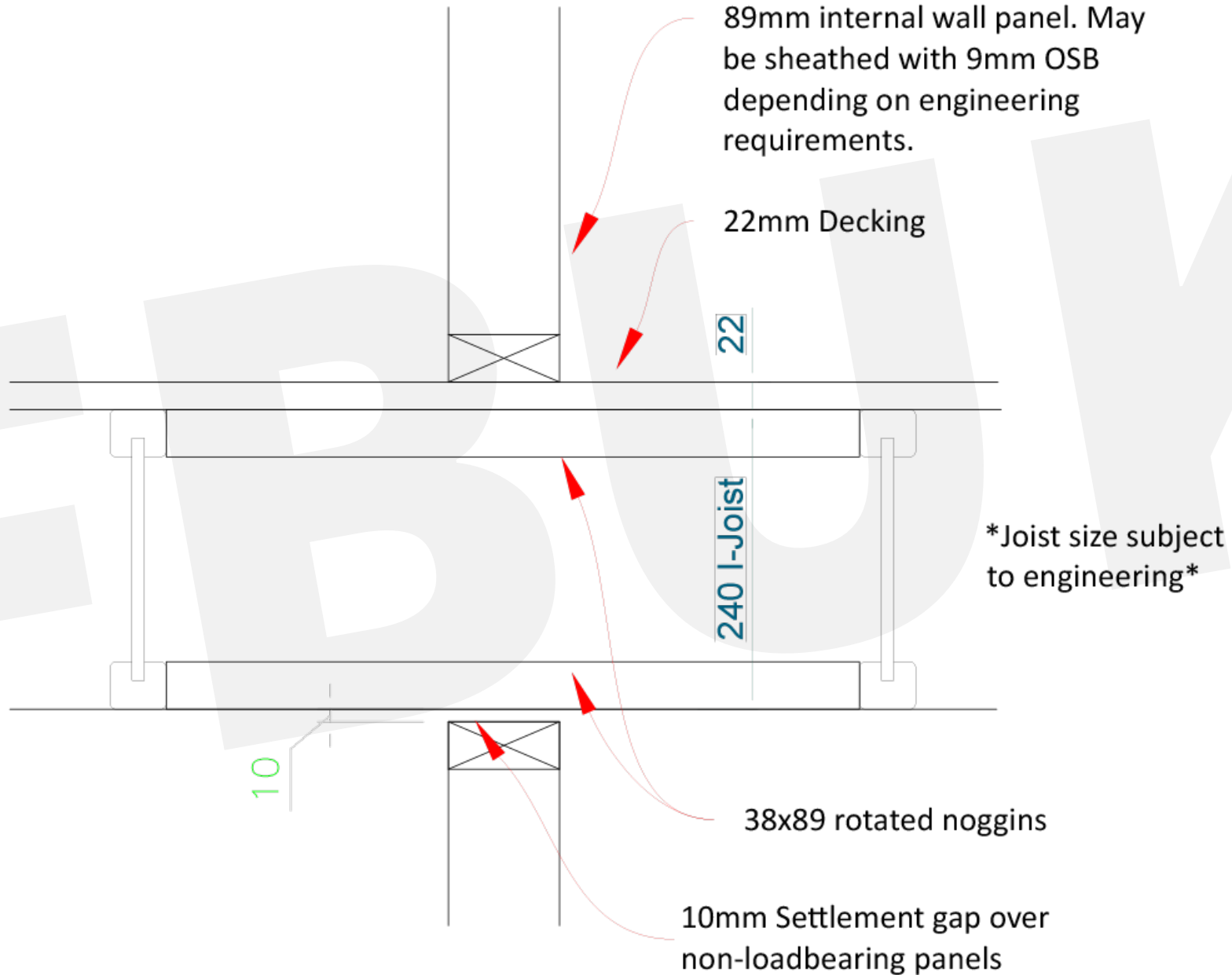
*Details should be considered indicative only. Intellectual Property of FBUK.



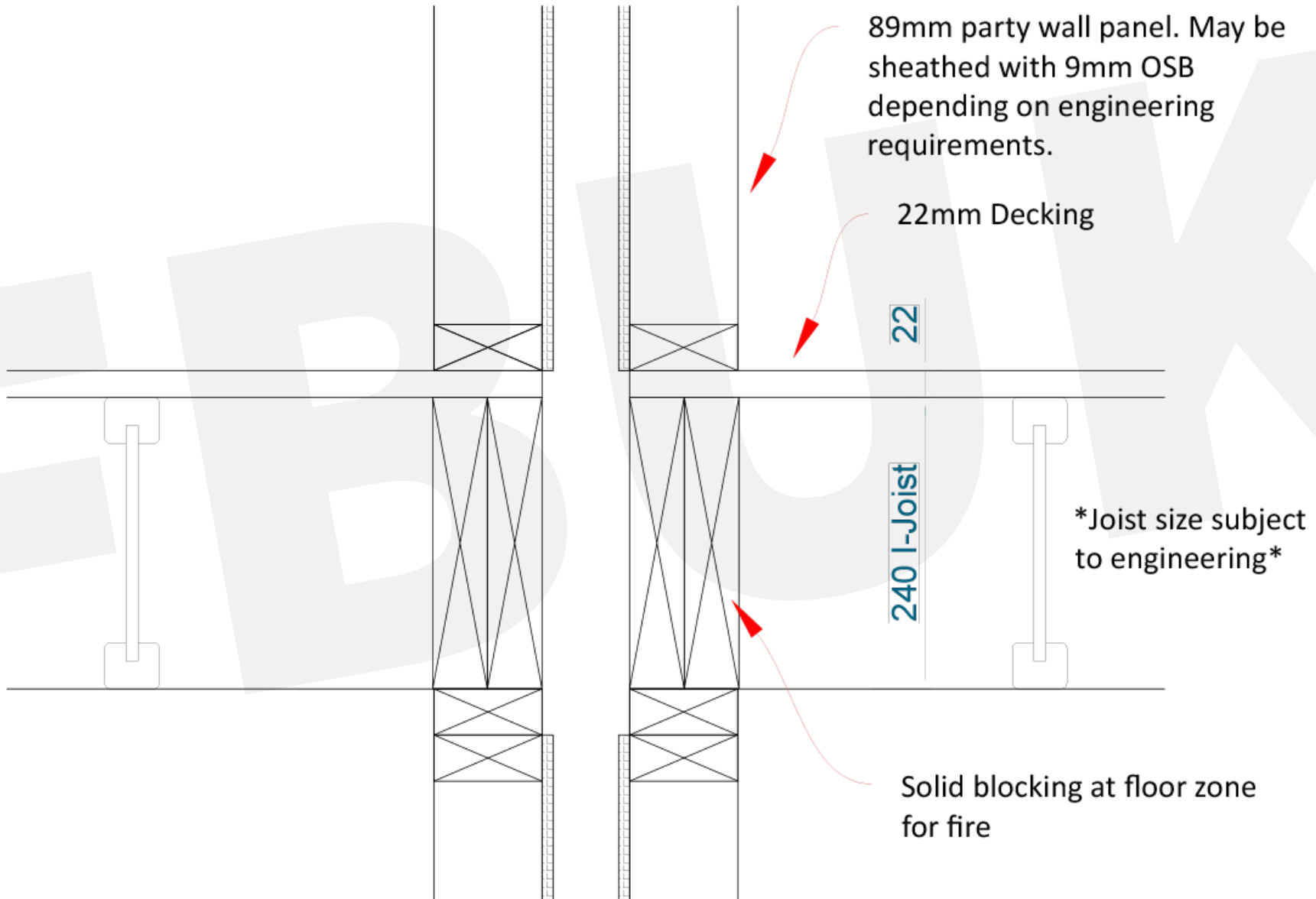
*Details should be considered indicative only. Intellectual Property of FBUK.



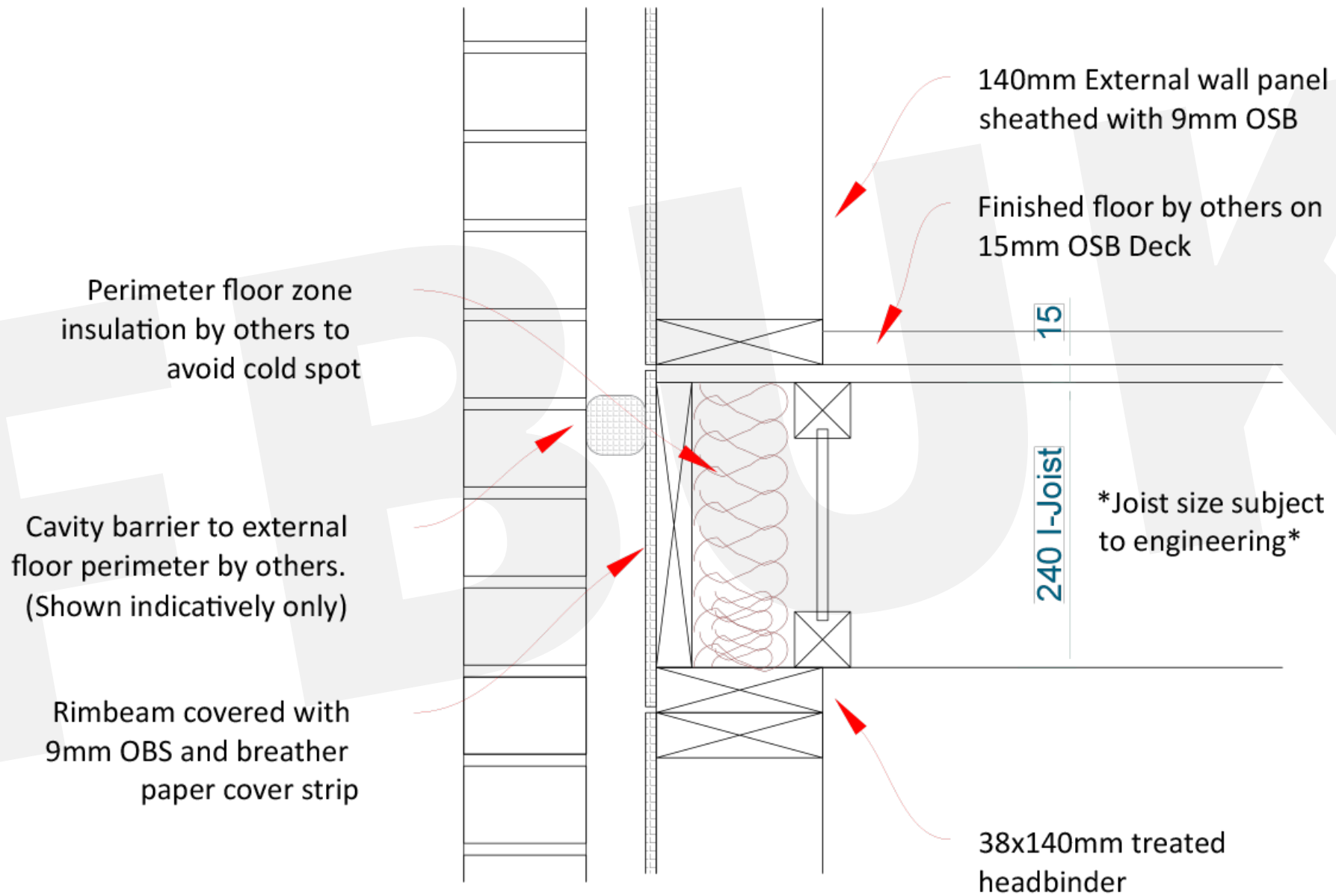
*Details should be considered indicative only. Intellectual Property of FBUK.



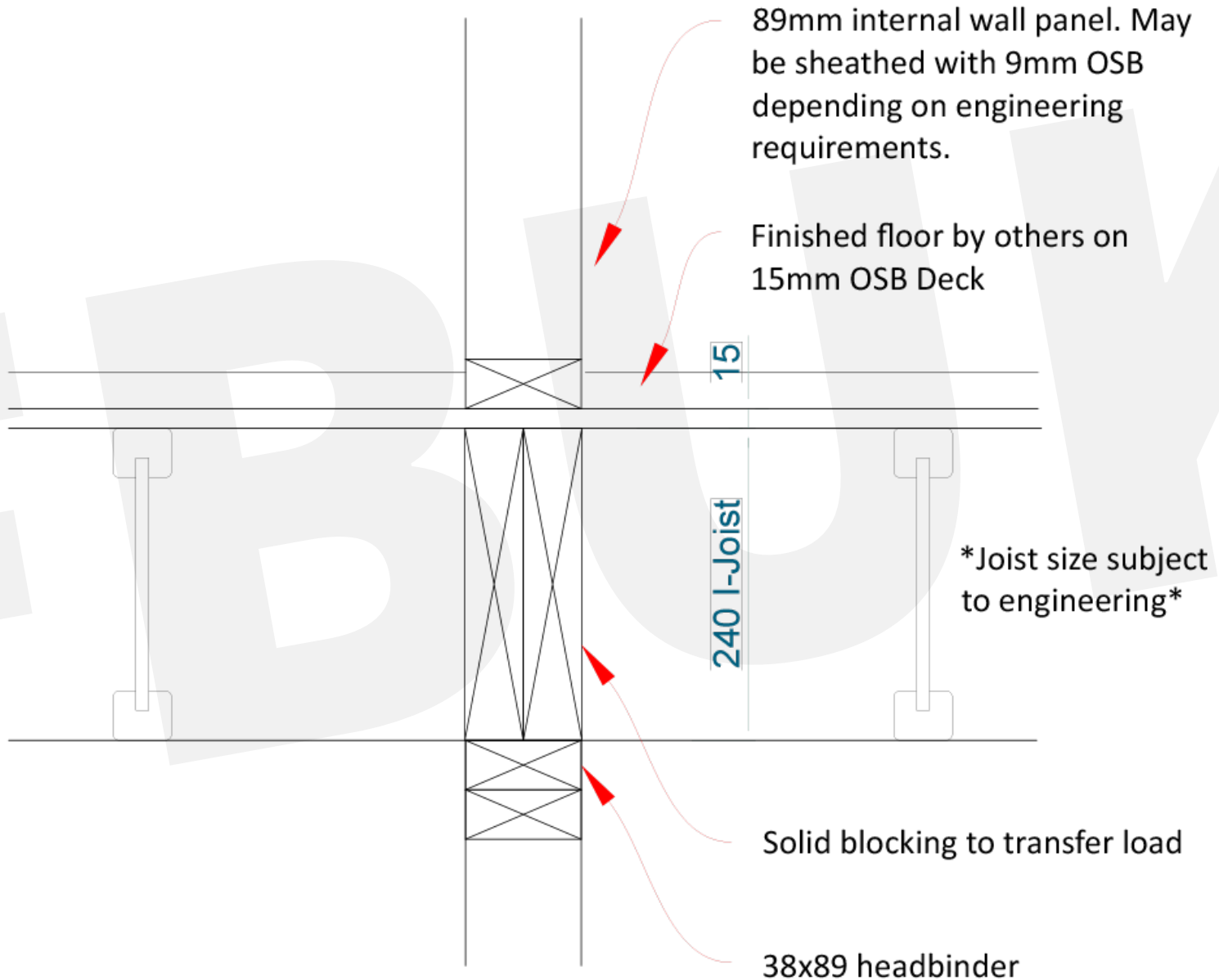
*Details should be considered indicative only. Intellectual Property of FBUK.



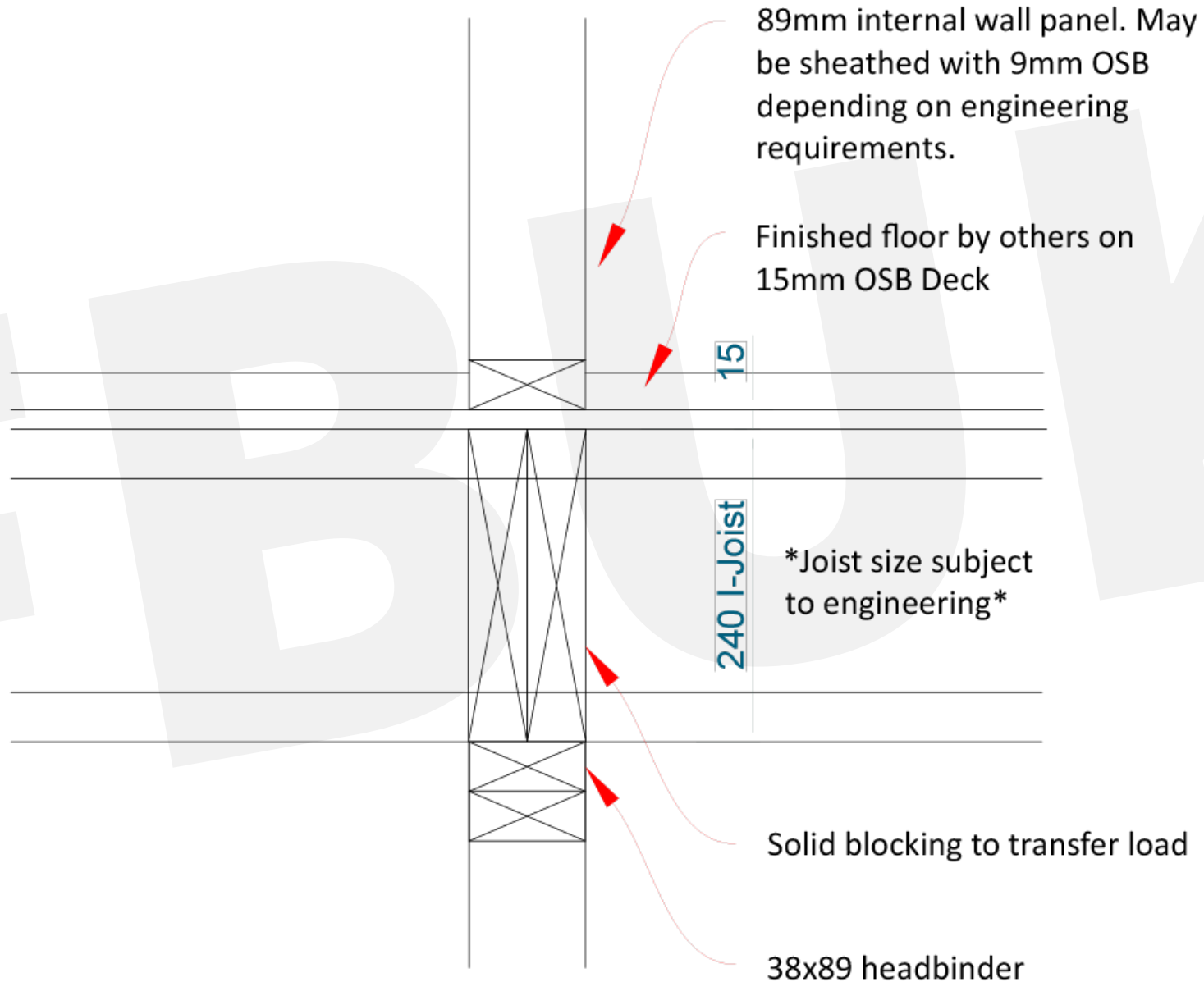
*Details should be considered indicative only. Intellectual Property of FBUK.



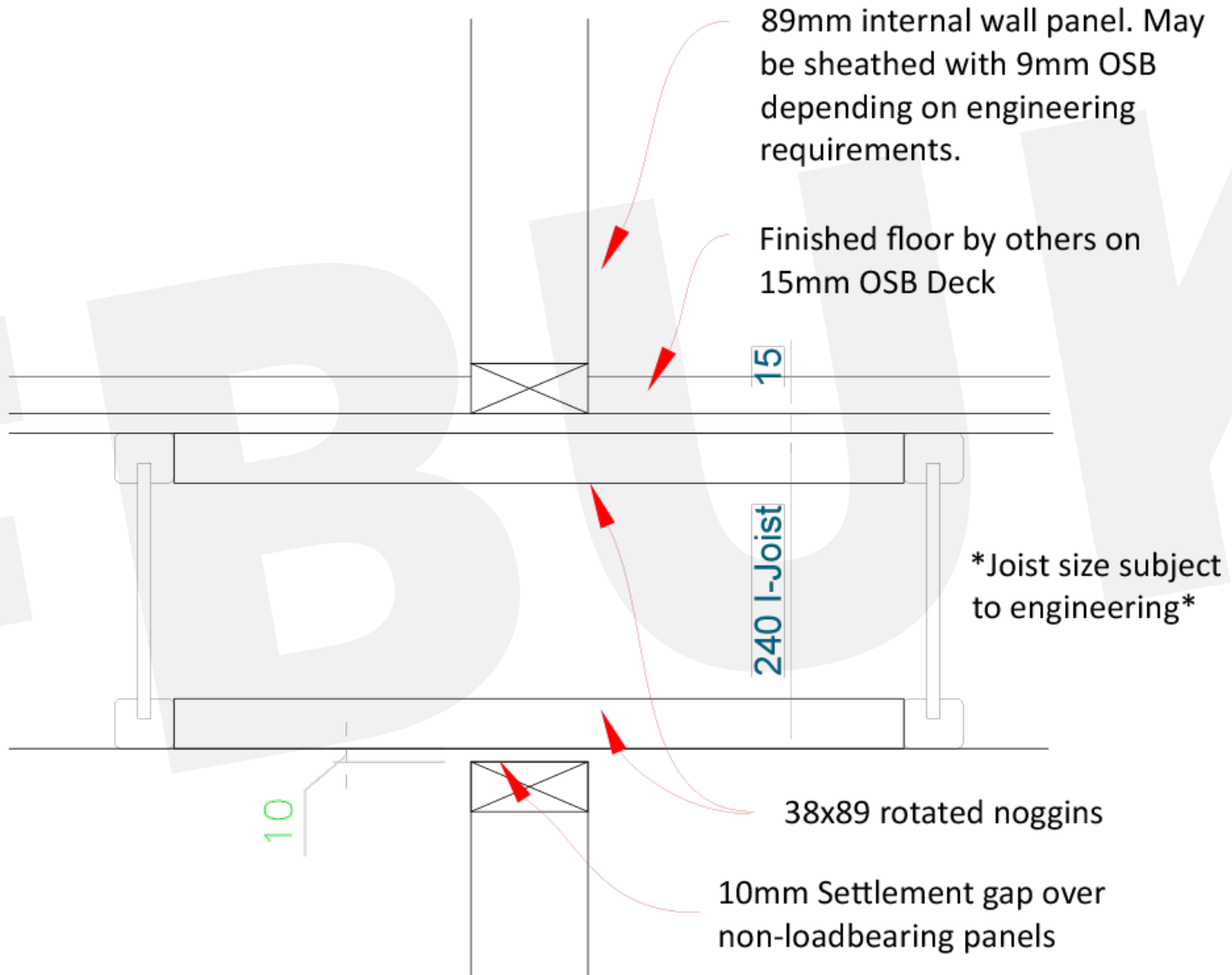
*Details should be considered indicative only. Intellectual Property of FBUK.



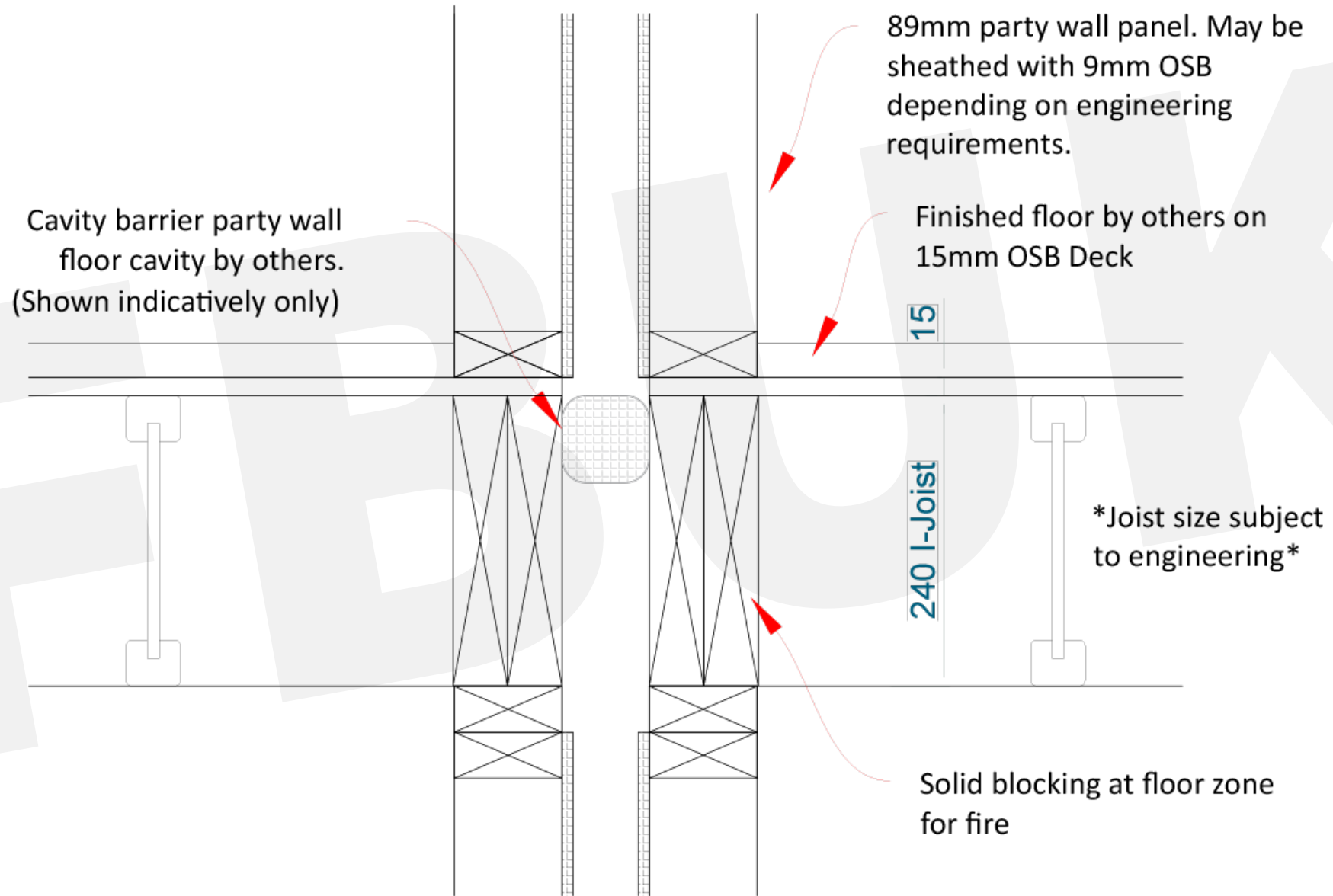
*Details should be considered indicative only. Intellectual Property of FBUK.



*Details should be considered indicative only. Intellectual Property of FBUK.



*Details should be considered indicative only. Intellectual Property of FBUK.



*Details should be considered indicative only. Intellectual Property of FBUK.

47x147 TR26 noggins between top chords

140mm External wall panel sheathed with 9mm OSB

Top chord support metal webbed joists

22mm Decking

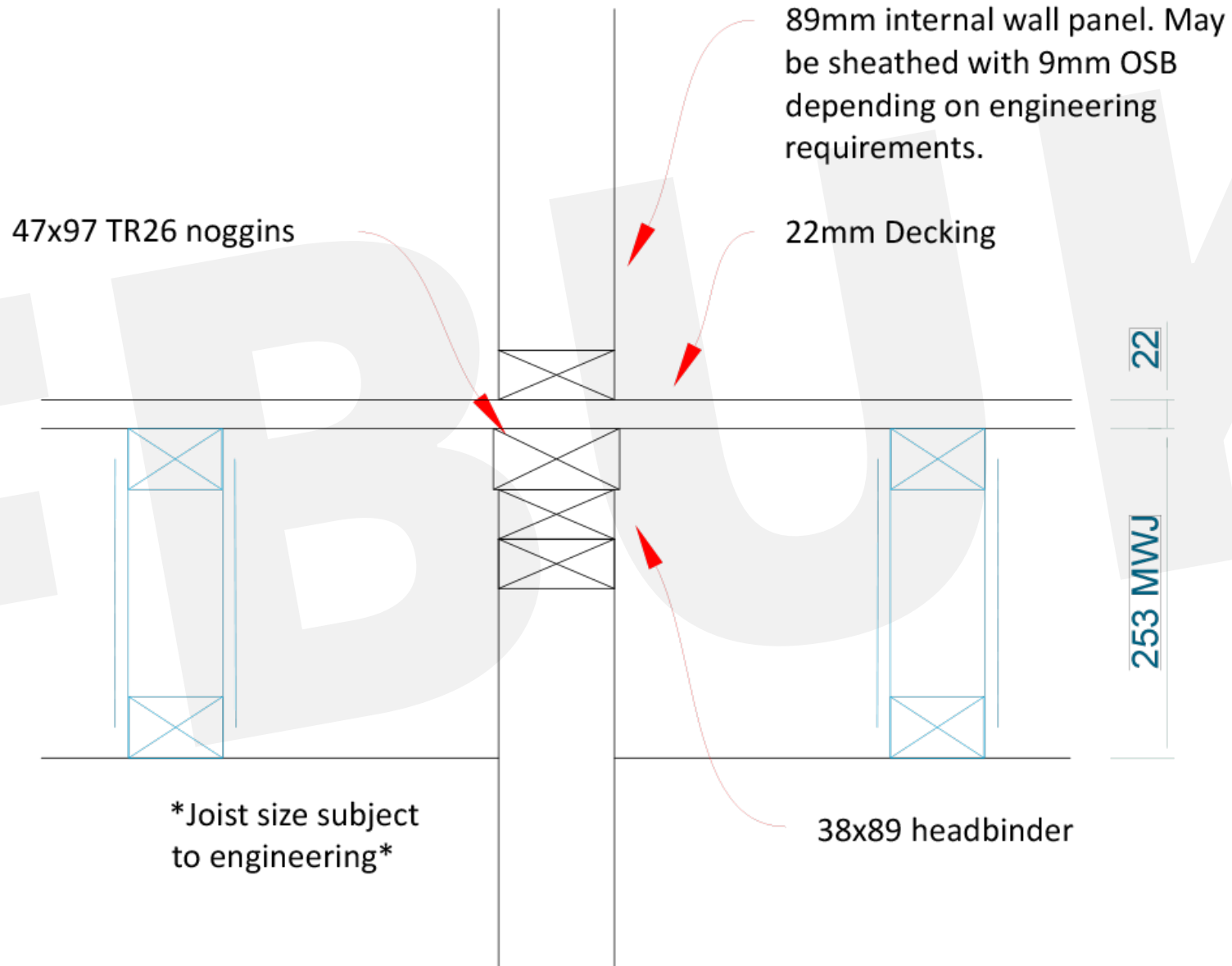
22

253 MWJ

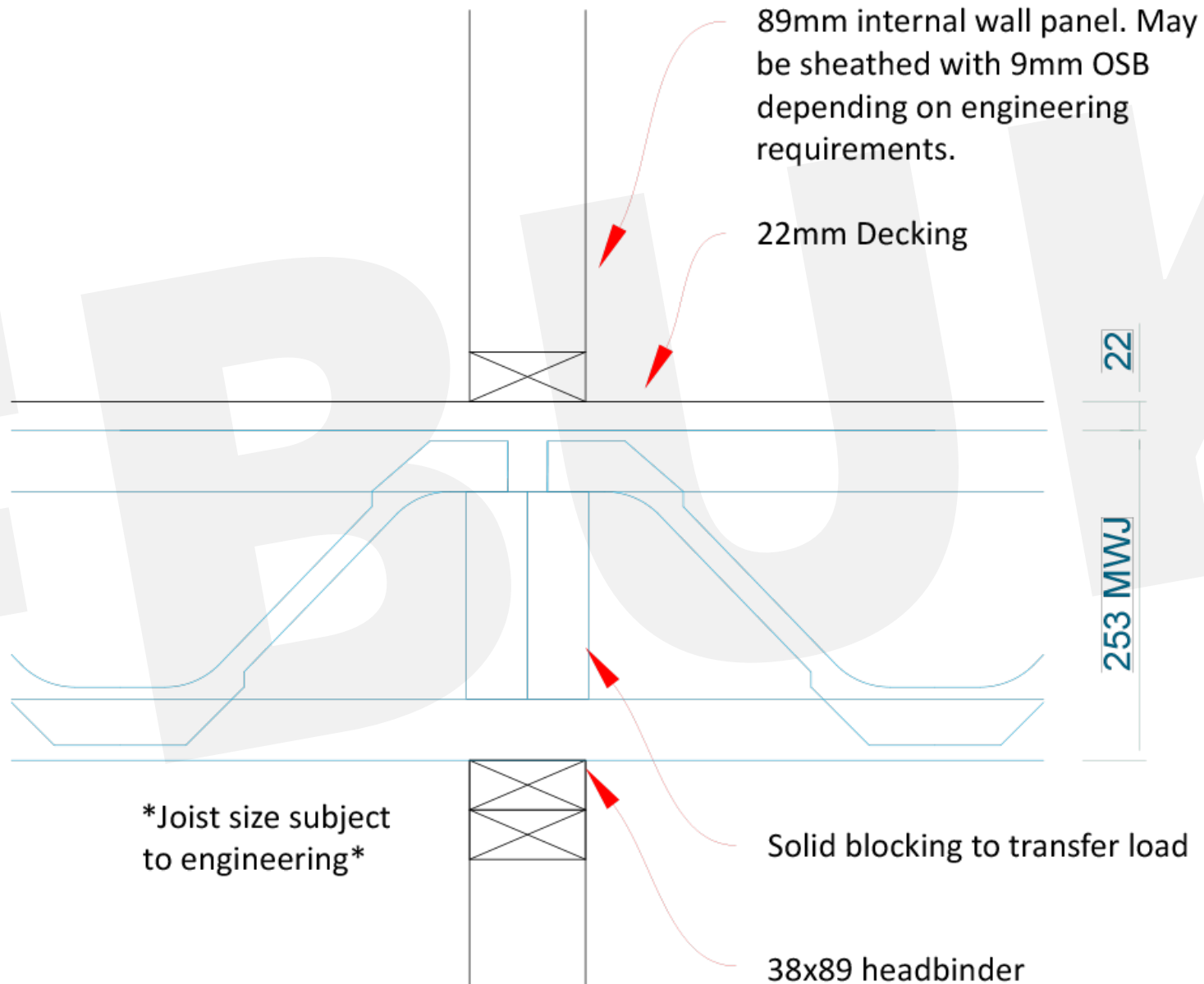
Joist size subject to engineering

38x140mm treated headbinder

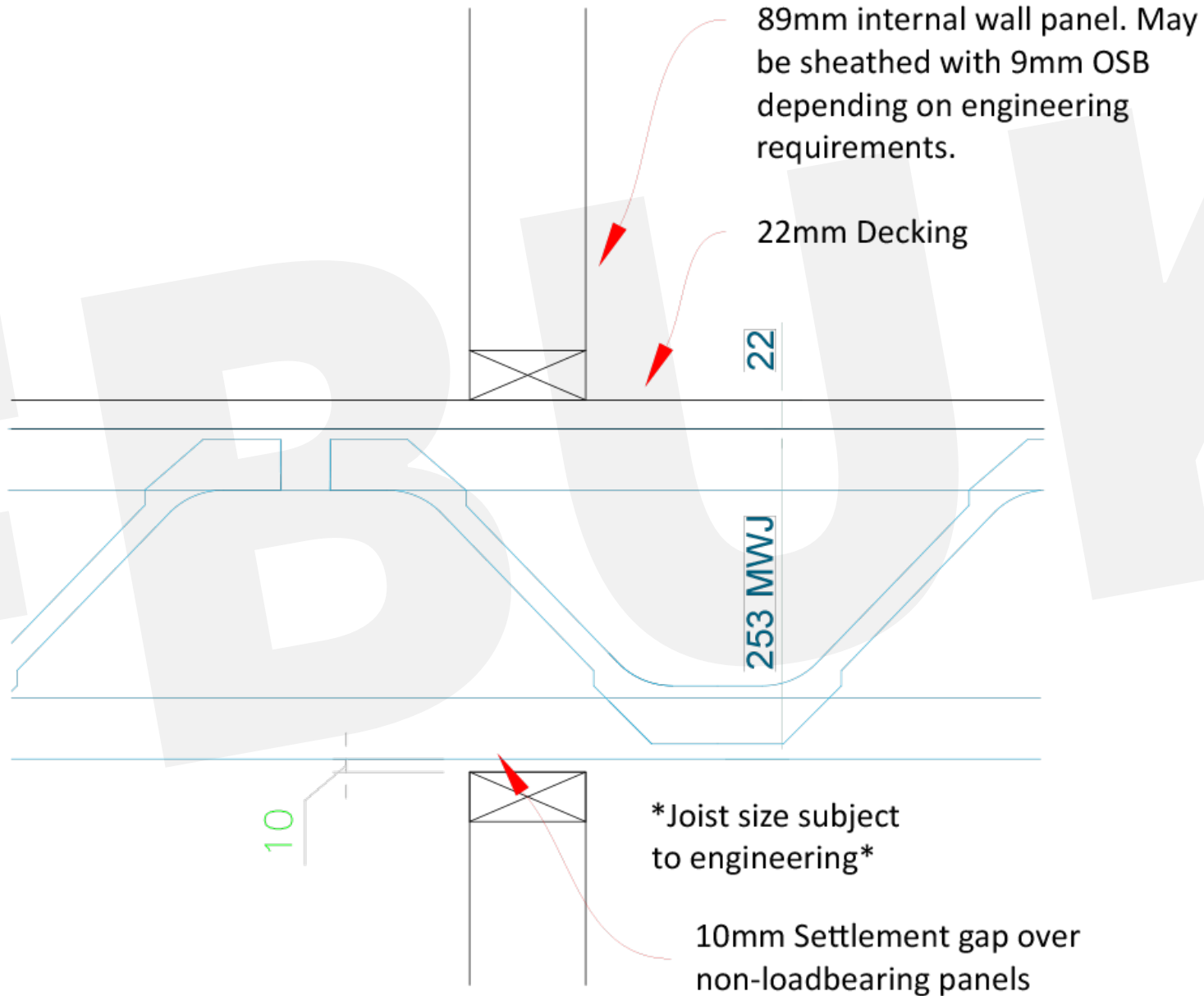
*Details should be considered indicative only. Intellectual Property of FBUK.



*Details should be considered indicative only. Intellectual Property of FBUK.



*Details should be considered indicative only. Intellectual Property of FBUK.



*Details should be considered indicative only. Intellectual Property of FBUK.

47x97 TR26 noggins

89mm party wall panel. May be sheathed with 9mm OSB depending on engineering requirements.

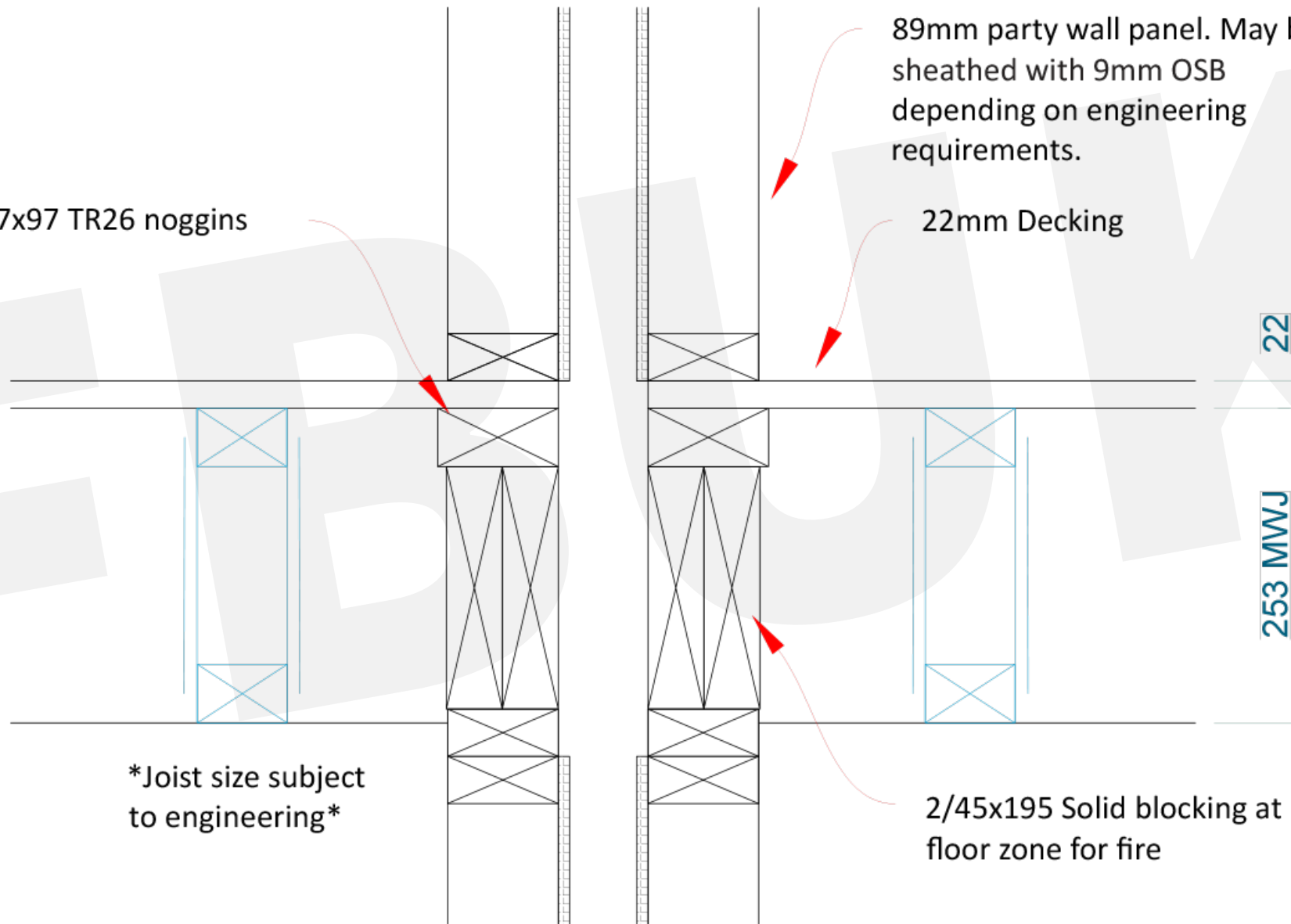
22mm Decking

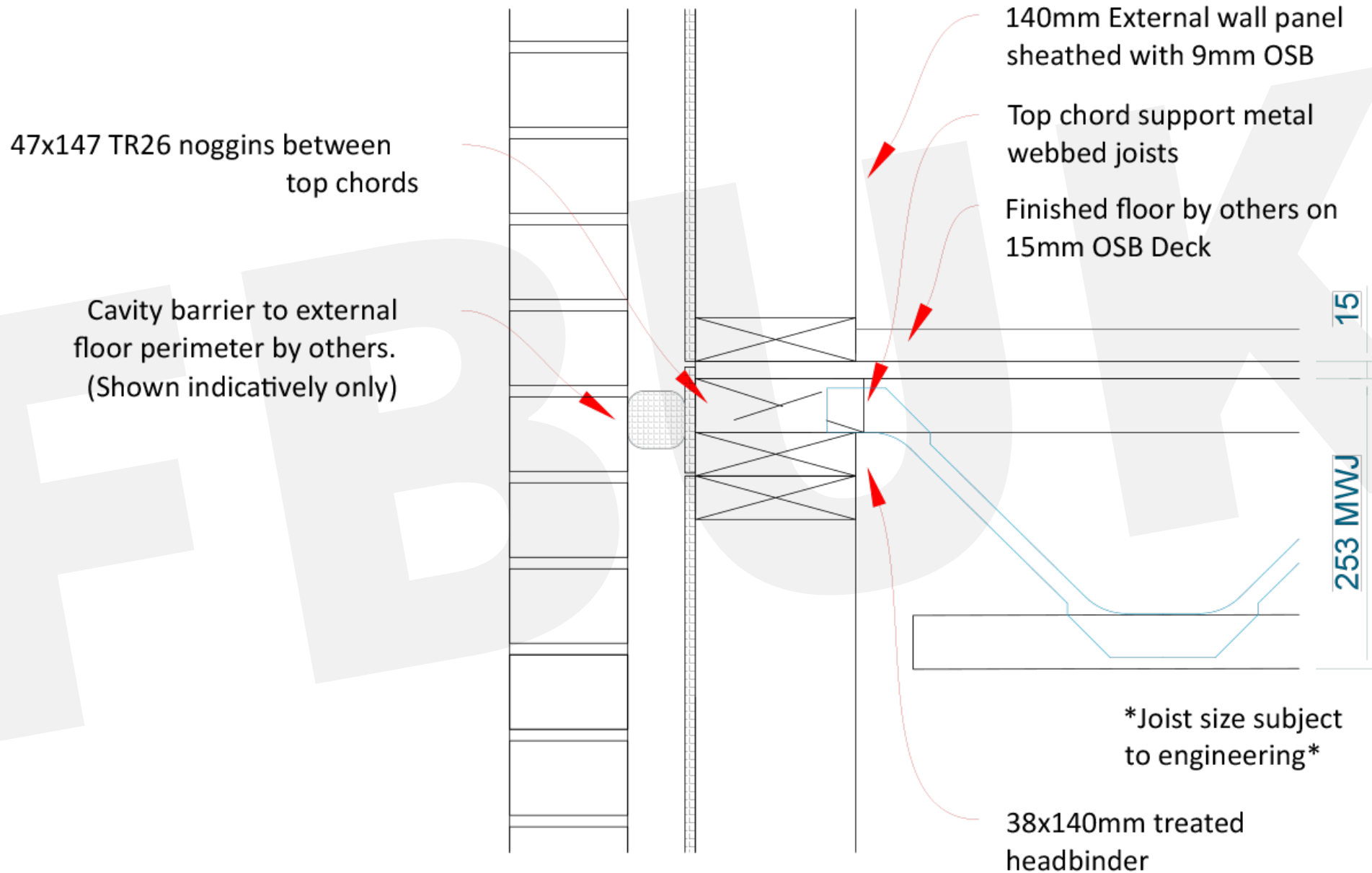
22

253 MWJ

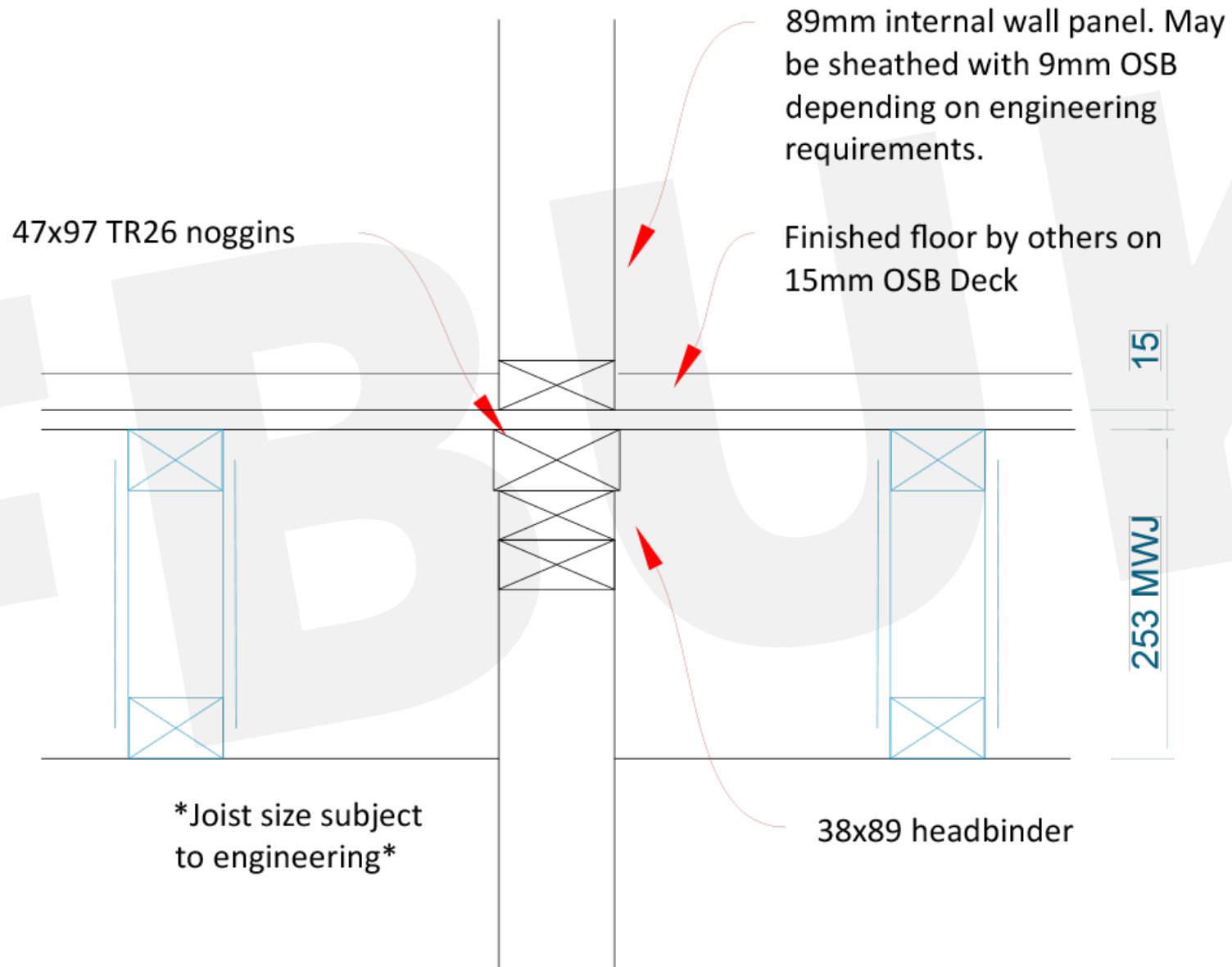
Joist size subject to engineering

2/45x195 Solid blocking at floor zone for fire

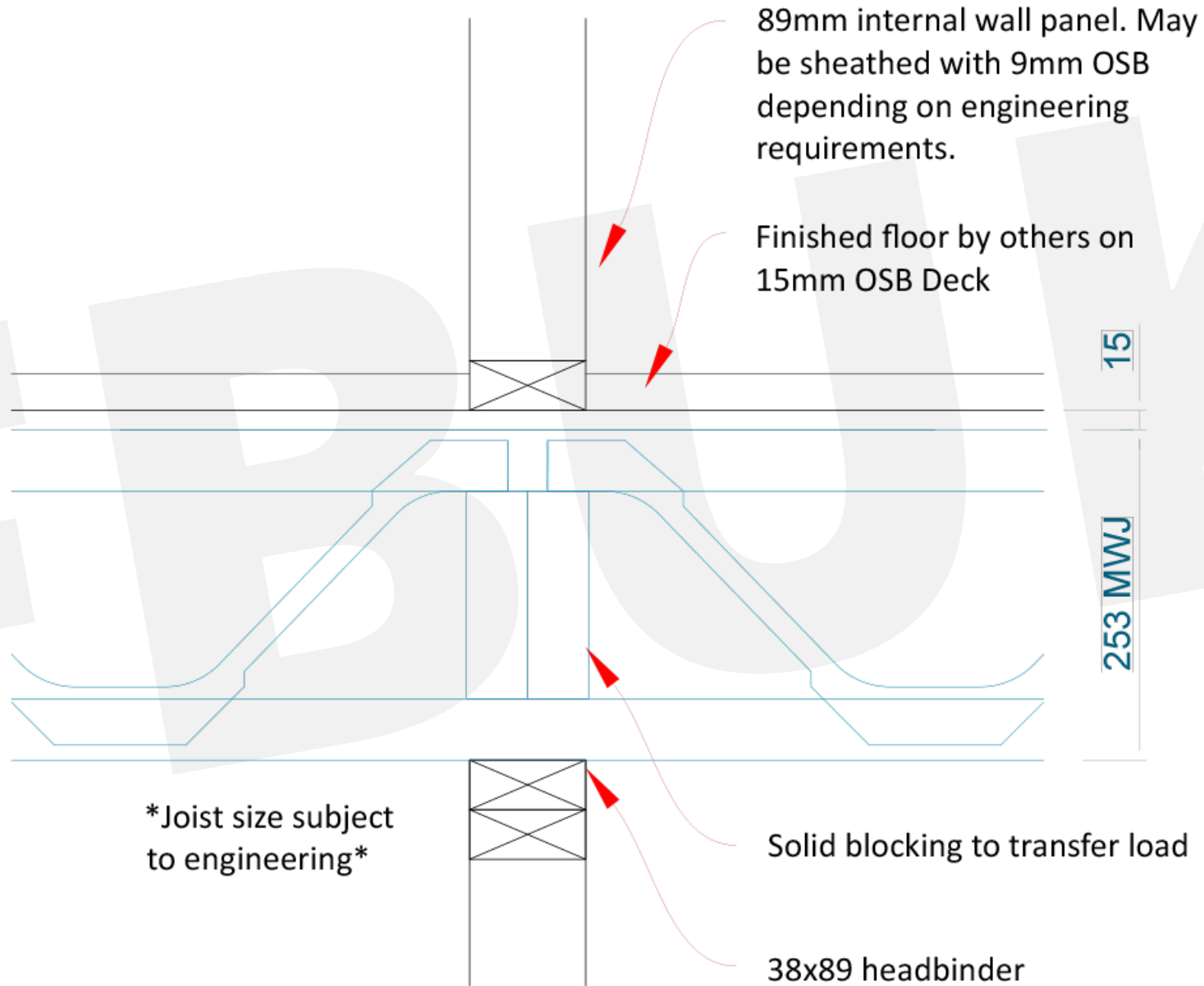




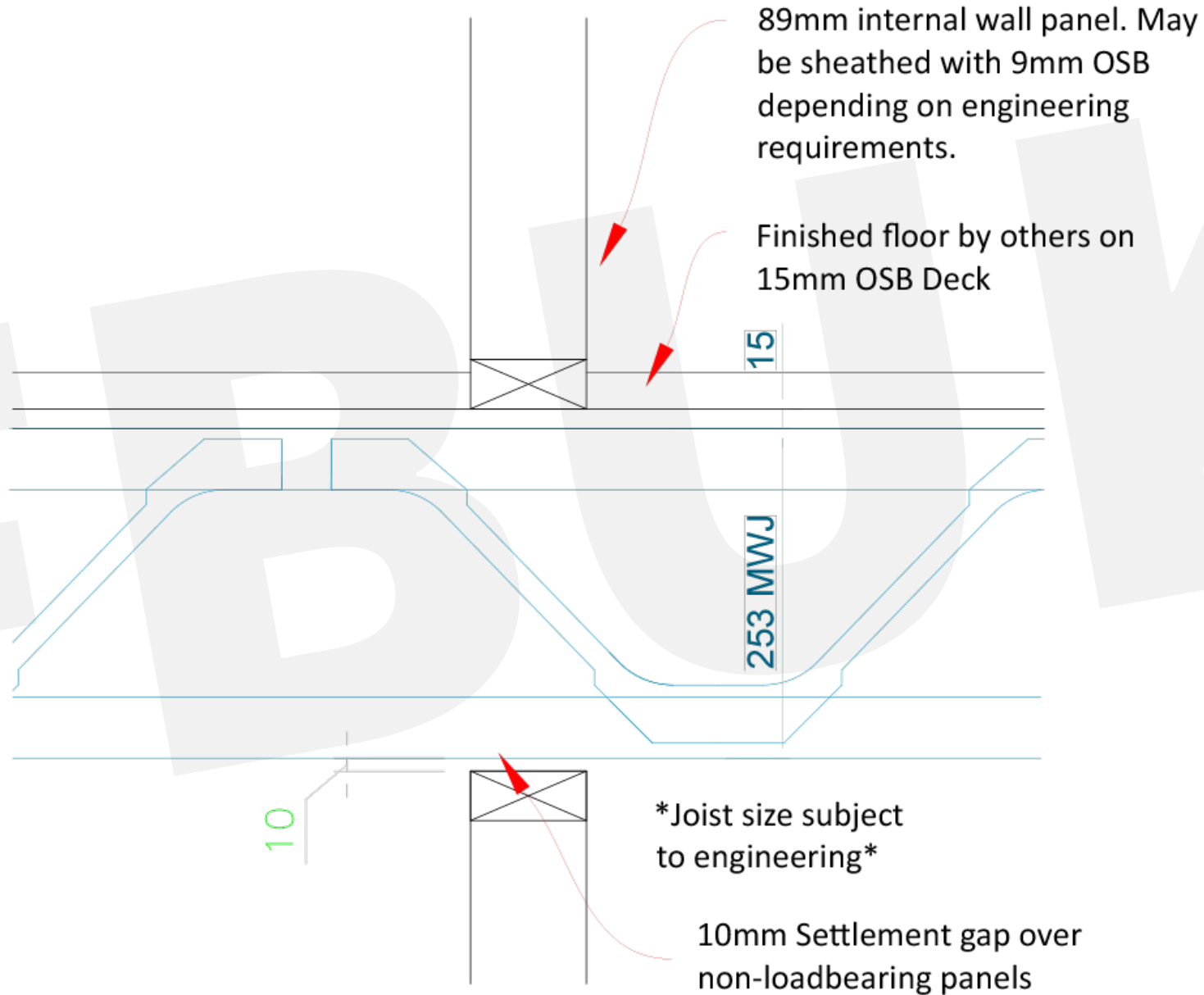
*Details should be considered indicative only. Intellectual Property of FBUK.



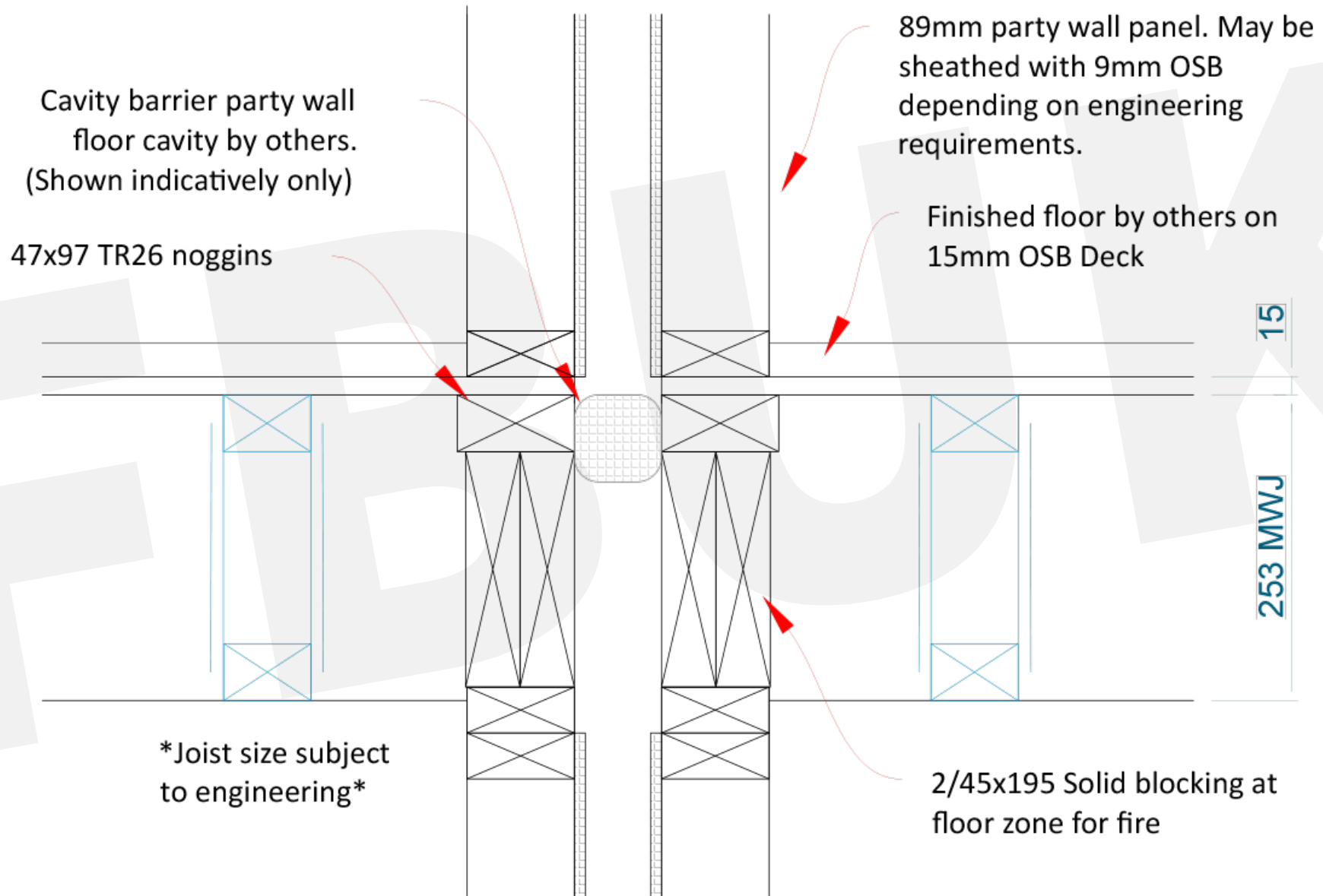
*Details should be considered indicative only. Intellectual Property of FBUK.



*Details should be considered indicative only. Intellectual Property of FBUK.



*Details should be considered indicative only. Intellectual Property of FBUK.



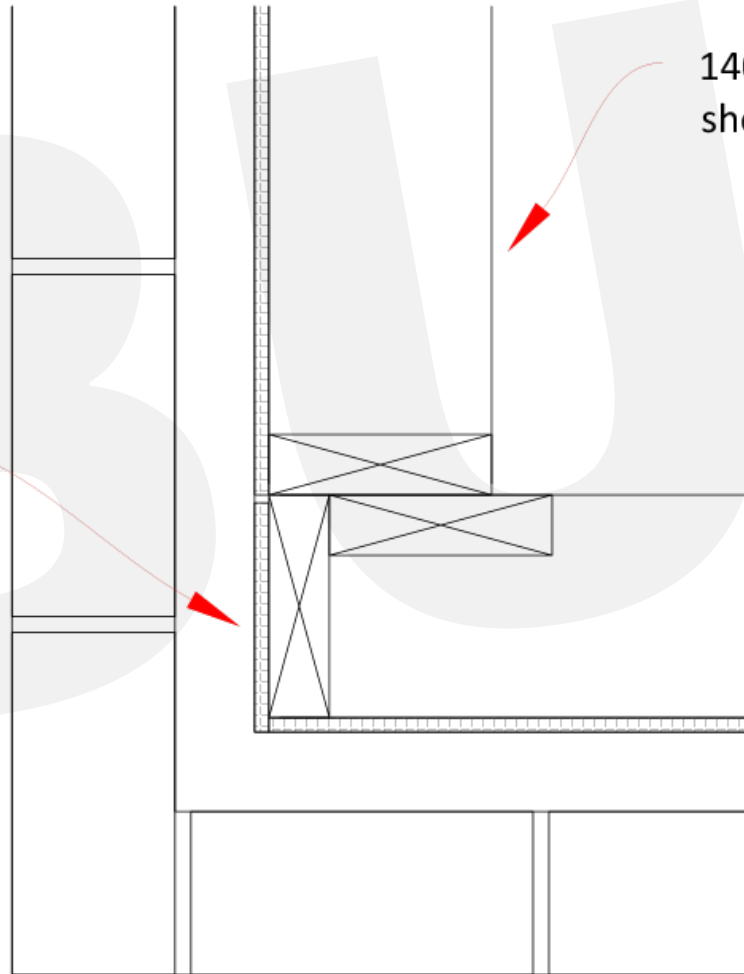
*Details should be considered indicative only. Intellectual Property of FBUK.

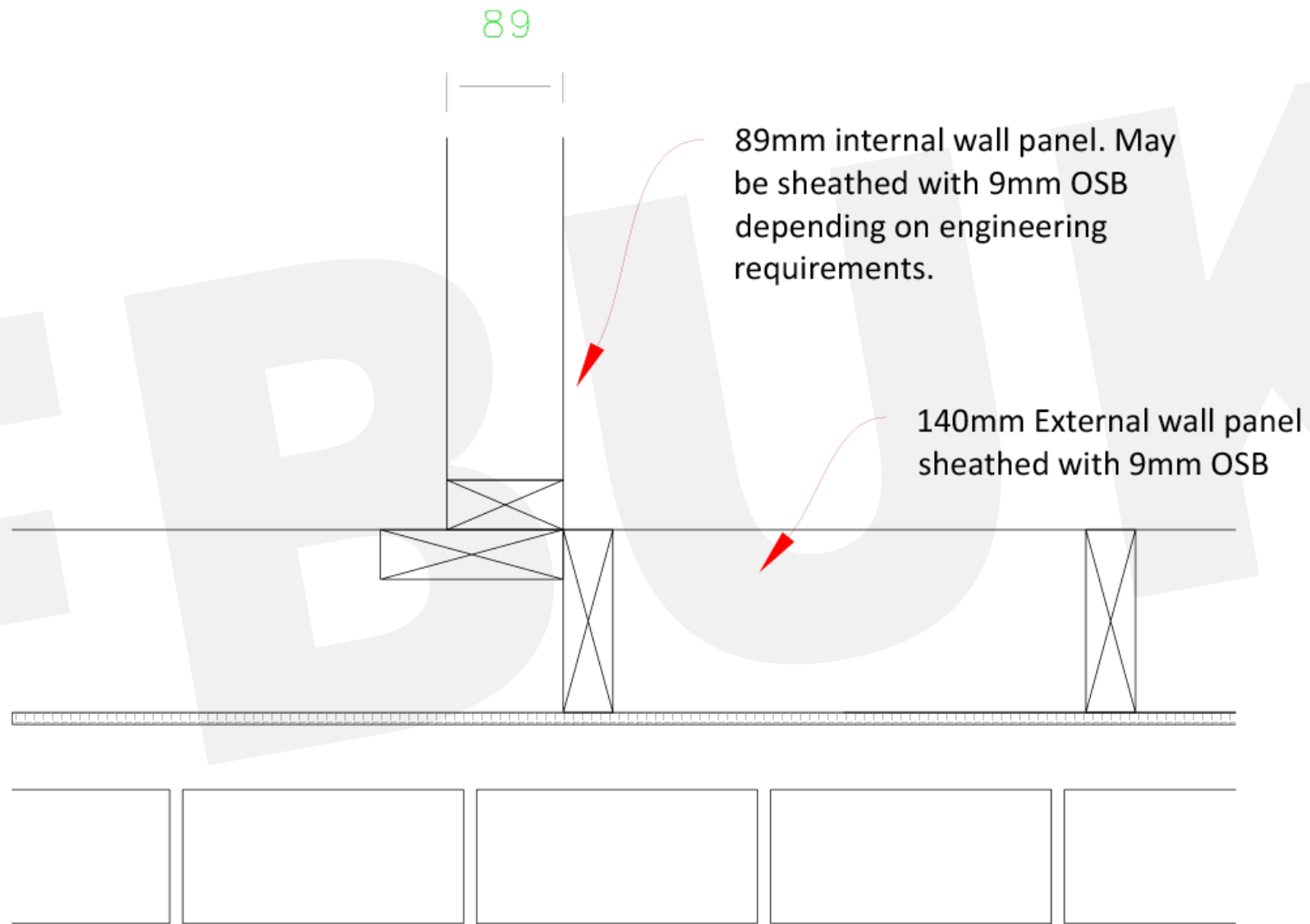
9mm OSB coverstrip

9
50 140

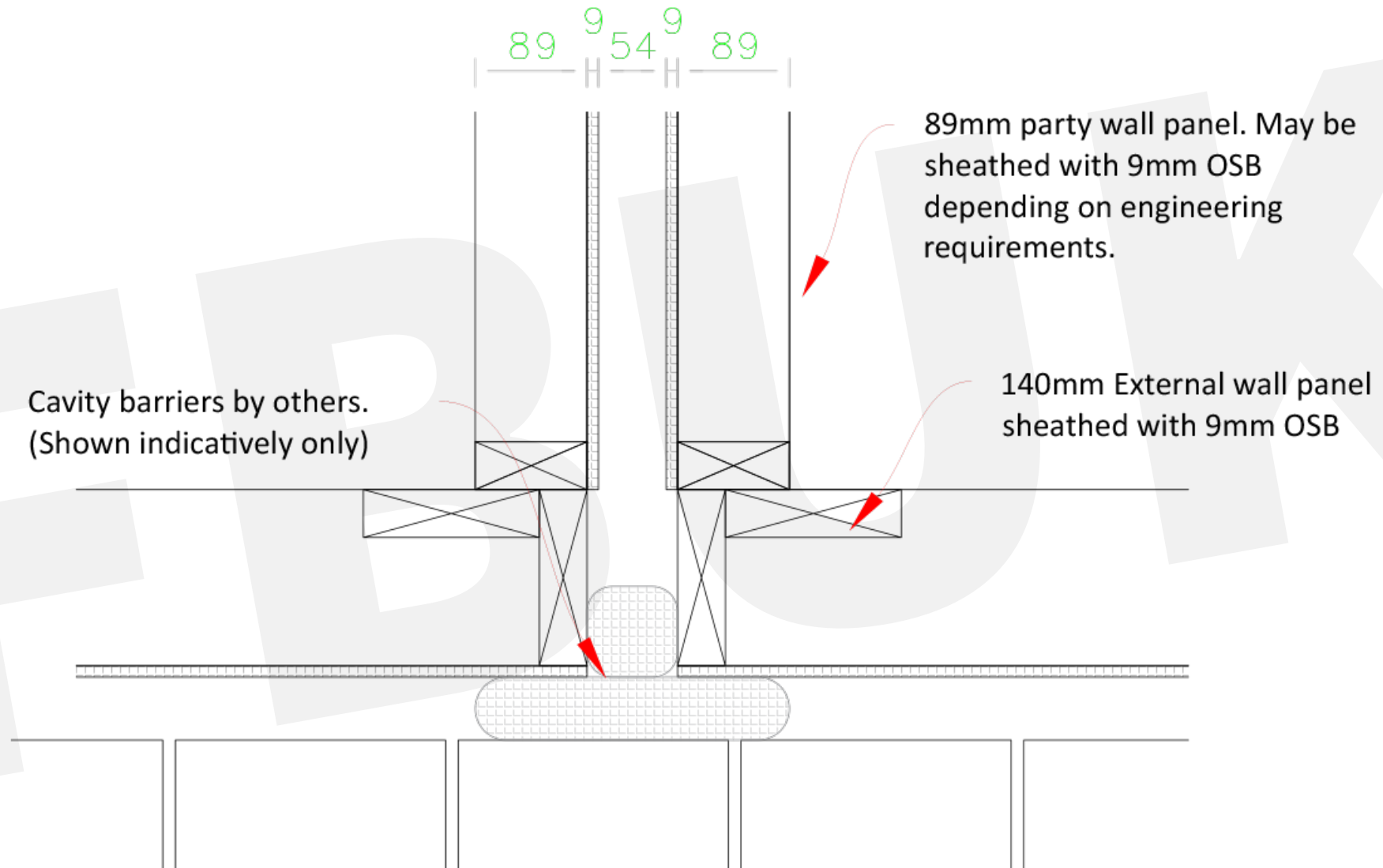
140mm External wall panel sheathed with 9mm OSB

*Details should be considered indicative only. Intellectual Property of FBUK.

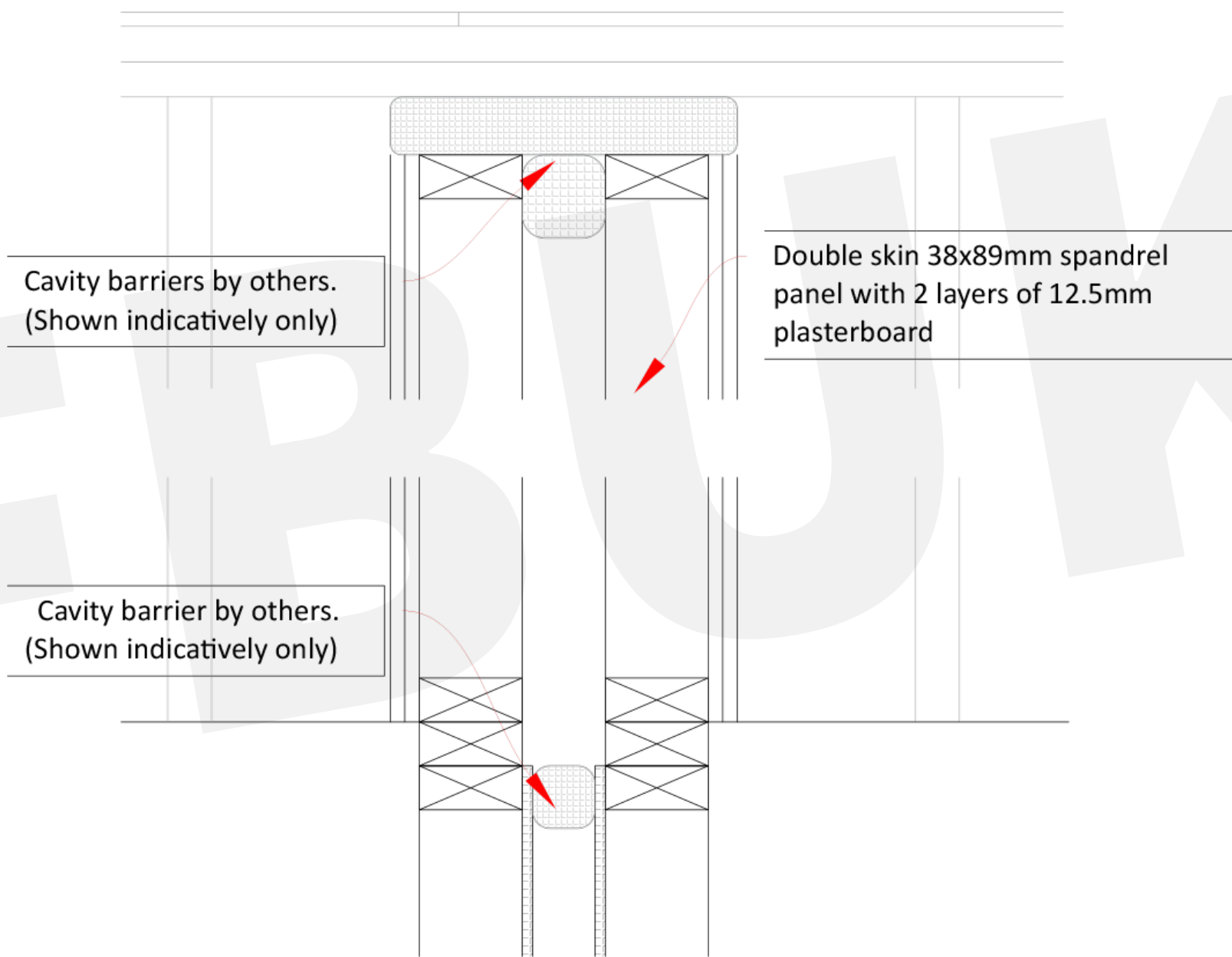




*Details should be considered indicative only. Intellectual Property of FBUK.



*Details should be considered indicative only. Intellectual Property of FBUK.



*Details should be considered indicative only. Intellectual Property of FBUK.